

# 101

C O P E N H A G E N



## **Big Foot Stool - Linen**

Designed by

Kristian Sofus Hansen &  
Tommy Hyldahl

# Big Foot Stool - Linen

---

## Product Description

The Big Foot Stool is more than just a seat it's a bold expression of style and creativity.

Inspired by the iconic 1970s upholstery movement, its thick cylindrical legs and geometric form exude confidence and charm. Whether used as an extra seat that moves effortlessly wherever needed or as a sculptural centrepiece that commands attention, this versatile piece transforms any space into a sanctuary of comfort and design. Elevate your surroundings with a statement that blends function, artistry, and timeless appeal.

The natural sand colour linen offers a refined yet textured appearance that beautifully complements the stools minimalist aesthetic. Produced in Northern France, the linen fibers are of highest quality, adding to the luxurious feeling of the fabric. The coarse weave gives the textile a rough look with a rich texture.

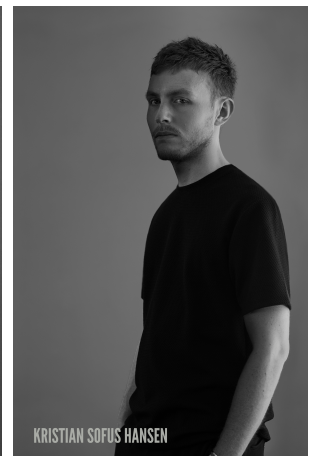
## Designer Description

Tommy Hyldahl and Kristian Sofus Hansen intertwine their distinct sensibilities to create designs where storytelling, materiality, and timeless form meet in quiet harmony.

With a background in fashion, Tommy brings an intuitive eye for trends, colors, and textures. His process is one of layering histories, blending details and references from past design periods and reimagining them into something fresh and contemporary. Each collection unfolds as a narrative, evolving from concept to creation, with every element contributing to a greater story.

Kristian, who has lived and studied in Japan, seeks to unite Japanese aesthetics with Danish design, creating a characteristic twist on simplicity itself. His work is defined by the search for subtle, original details that elevate each piece with a unique signature. Drawing inspiration from art and sculpture, his creative process unfolds in new and exciting ways, always striving to craft designs that are both functional and timeless.

Together, they craft design that transcends time, poetic yet practical, expressive yet enduring.



# Big Foot Stool - Linen

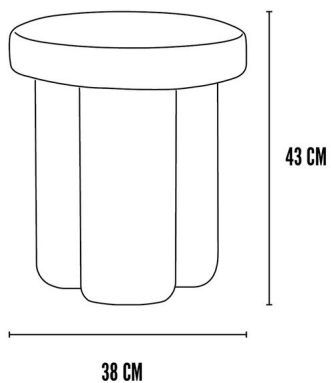
---

## Main

SKU	244002	Product Family	Big Foot
Product name	Big Foot Stool - Linen	Color	Sand (8047-2)
Product Type	Stool	Size	Regular
		Unit	Piece

## Logistics

EAN number	4251501412069	Package - CBM	0.072
Package height in cm	45.00	Package - Weight KG	7.000
Package width in cm	40.00	Tariff Code No	9403609090
Package length in cm	40.00	Country of origin	China
Suitable for Courier	Yes	Quantity of Inner Boxes	1



## Big Foot Stool - Linen

---

### Product

Materials	Linen	Net weight in kg	6.3
Item Height in cm	43.00	Space Suitability	
Item width in cm	38.00	Strength Test	No
Item length in cm	38.00	FSC Wood	No

### Upholstery

Fabric	Linen 8047-2	Cigarette Test - CAL-117	No
Martindale	18.000	Cigarette Test - EN 1021-1	No
Colour Fastness to Light	N/A	Cigarette Test - BS5852 Part 1	No
Pilling	N/A	Match Flame Test - EN 1021-2	No
Oeko Tex	N/A	Ignition Source 5 (Crib 5) - BS 5852 Part 2	No
Fire Test Foam	CAL-117	NF P92-507 - Class M1	No

# Big Foot Stool - Linen

---

## Family Description Text

The Big Foot Collection is more than furniture; it is a sculptural language of bold forms and quiet strength. Rooted in the spirit of the 1970s yet reimagined for the present, it carries a presence that feels both commanding and inviting. Inspired by brutalist architecture and contemporary sculpture, each piece is anchored by its iconic cylindrical legs, modern in expression and timeless in character, lending every design a sense of quiet monumentality.

Within the collection, two worlds converge: the warmth of upholstery and the raw allure of fiber concrete. The upholstered pieces wrap their geometric silhouettes in softness, balancing resilience with comfort and offering a tactile invitation to pause, sink in, and stay. The fiber concrete designs, by contrast, suggest weight and permanence yet reveal themselves as astonishingly light, effortless to move, and full of surprising ease.

Every surface whispers a story. Upholstered in rich textiles, the pieces exude warmth and refinement, while the hand-painted concrete reveals a raw beauty that recalls the poetry of architecture and the fluid grace of sculpture. Together they speak in contrasts of softness and strength, permanence and change, intimacy and bold expression, woven into a harmonious dialogue of form and feeling.

The Big Foot Collection is sculpture for living. Each piece holds a commanding presence, whether standing as a centerpiece or quietly shaping the atmosphere of a room. With bold forms and hand-painted details, the collection transforms everyday function into art, turning spaces into sanctuaries where design and life merge seamlessly.

## Color Description

Sand is named for its warmth but in appearance is closer to the true natural color of raw linen. With a soft, undyed beige-grey tone, it reflects the fabric in its pure state. Subtle variations in shade add organic depth, while the raw finish gives it an understated, timeless elegance.

## Maintenance Guide Description

Linen upholstery is a natural, durable fabric that softens beautifully with time. To maintain its appearance, vacuum the surface regularly with a soft brush attachment to remove dust and prevent particles from embedding in the weave. In case of spills, blot gently with a clean, dry cloth never rub, as this may spread the stain or damage the fibers. For stubborn marks, use a mild fabric-specific upholstery cleaner and always test on an inconspicuous area first. Professional upholstery cleaning is recommended for a deeper refresh when needed. Protect the fabric from direct sunlight to prevent fading and avoid prolonged exposure to moisture. With thoughtful care, linen upholstery will preserve its natural elegance, warmth, and comfort for years to come.

## Materials Description

100% Linen is a natural fiber celebrated for its exceptional durability and timeless beauty. Strong and resistant to wear, it is designed to endure while retaining its elegance. Soft to the touch with a subtle, tactile texture, linen adds depth and visual interest to any interior. Its organic character and natural warmth bring a sense of comfort and authenticity, making it a fabric that grows more beautiful with use and time.